

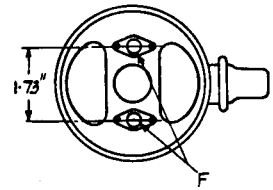
—Standard Valves—

4058-B
Valve

4058-B VALVE

(Replaces the 4058-A valve which has now been abandoned).

SINGLE ENDED
WATER COOLED TRIODE.



Cathode.

Pure tungsten filament.
Constant voltage type.

SPECIFICATION.

Water Jackets.

Type MS.1362 Grp. 1 for anode dissipation up to 6 Kw.

Type MS.1362 Grp. 20 for anode dissipation up to 6 Kw. used for below panel connection.

Types 223 LU.1A or PL.122011 (3001-A) for anode dissipation over 6 Kw.

Water Flow.

7 gallons per minute.

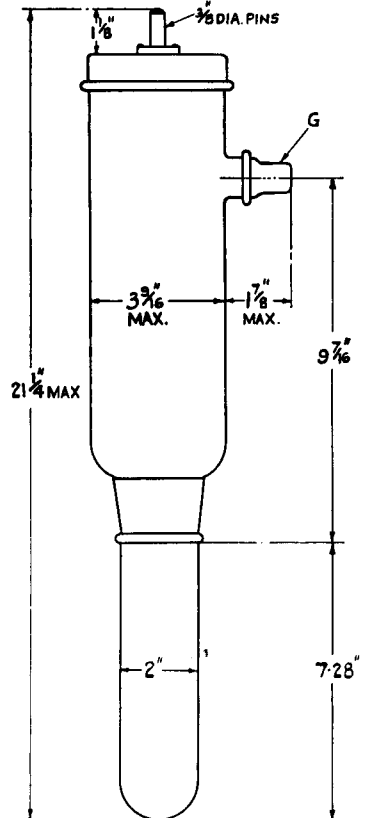
Dimensions.

Max. overall length 21 $\frac{1}{4}$ " (54 cms.)
Max. bulb diameter 3 $\frac{9}{16}$ " (9.05 cms.)
Net weight 3 $\frac{3}{4}$ lbs. (1,700 gms.)

Constants.

Filament voltage 19—20 volts
(exact filament voltages for 6 amps. and 10 amps. emission are marked on bulb)
Nominal filament current 58—61 amps.
Total emission 6—10 amps.
*Impedance 4,800 ohms
*Amplification factor 26
*Mutual conductance 5.4 mA. per volt
Grid-anode capacity 34.5 $\mu\mu\text{F}$.
Anode-filament capacity 0.4 $\mu\mu\text{F}$.
Grid-filament capacity 27 $\mu\mu\text{F}$.

* at anode current of 1.0 amp.



LIMITING CONDITIONS FOR SAFE OPERATION.

Maximum direct anode voltage	14,000 volts
Maximum direct anode voltage for anode modulation	10,000 volts
Maximum direct anode current	2.5 amps.
Maximum anode dissipation	12 Kw.
Maximum grid dissipation	250 watts
Maximum frequency for above ratings	3 Mc.
Maximum anode voltage for frequency of 6 Mc.	8,000 volts

NOTE.—The characteristics of the 4058-B Valve are identical with those of the 4058-A Valve but the grid lead has been brought out through the side of the bulb. Where the 4058-B is used to replace the 4058-A new grid connectors will be required. These connectors, type ES.5706-1, should be ordered with the valve.

V.4058-B.1
Mar. 1939

—Standard Valves—

TYPICAL OPERATING CONDITIONS.

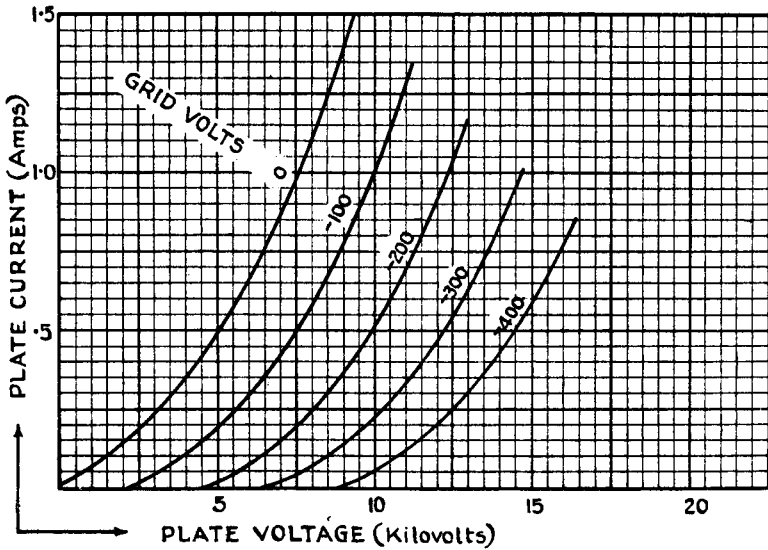
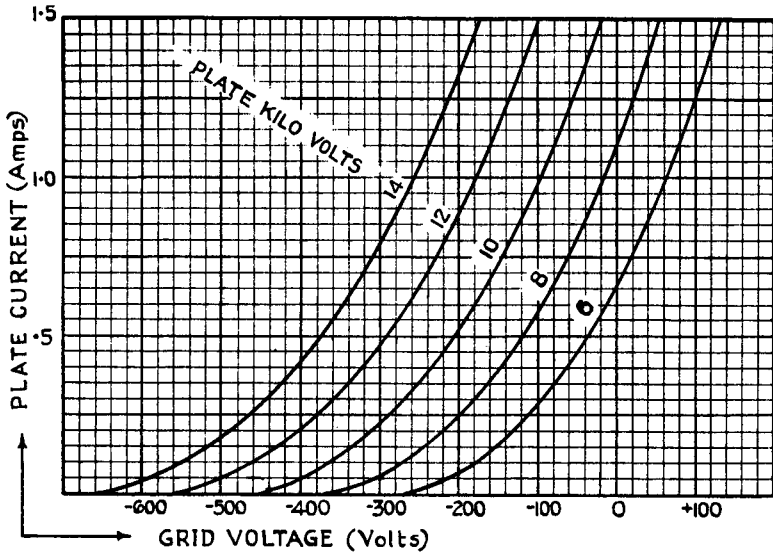
	Class B A.F. Amp. For balanced 2 valve circuit
Direct anode voltage	12,000 volts
Grid bias	—300 to —350 volts
Direct anode current per valve—zero signal	0.4 amp.
Direct anode current per valve—maximum signal	2.0 amps.
Load resistance—anode to anode	5,400 ohms
Maximum signal output—2 valves	26.4 Kw.
Anode dissipation	10.8 Kw.

RADIO FREQUENCY OPERATION.

	Class B Telephony	Class C Telephony	Class C Telegraphy
	Modulated carrier applied to grid	Subject to anode modulation	Unmodulated
Direct anode voltage	12,000	8,000	12,000 volts
Direct anode current	1.25	1.25	2.5 amps.
Grid bias	—420	—700	—1,100 to —1,750 volts
Anode dissipation	10	3.3	10 Kw.
Carrier output	5	6.7	20 Kw.

—Standard Valves—

4058-B
Valve



PRINTED IN
ENGLAND